



Fast Ethernet Switch

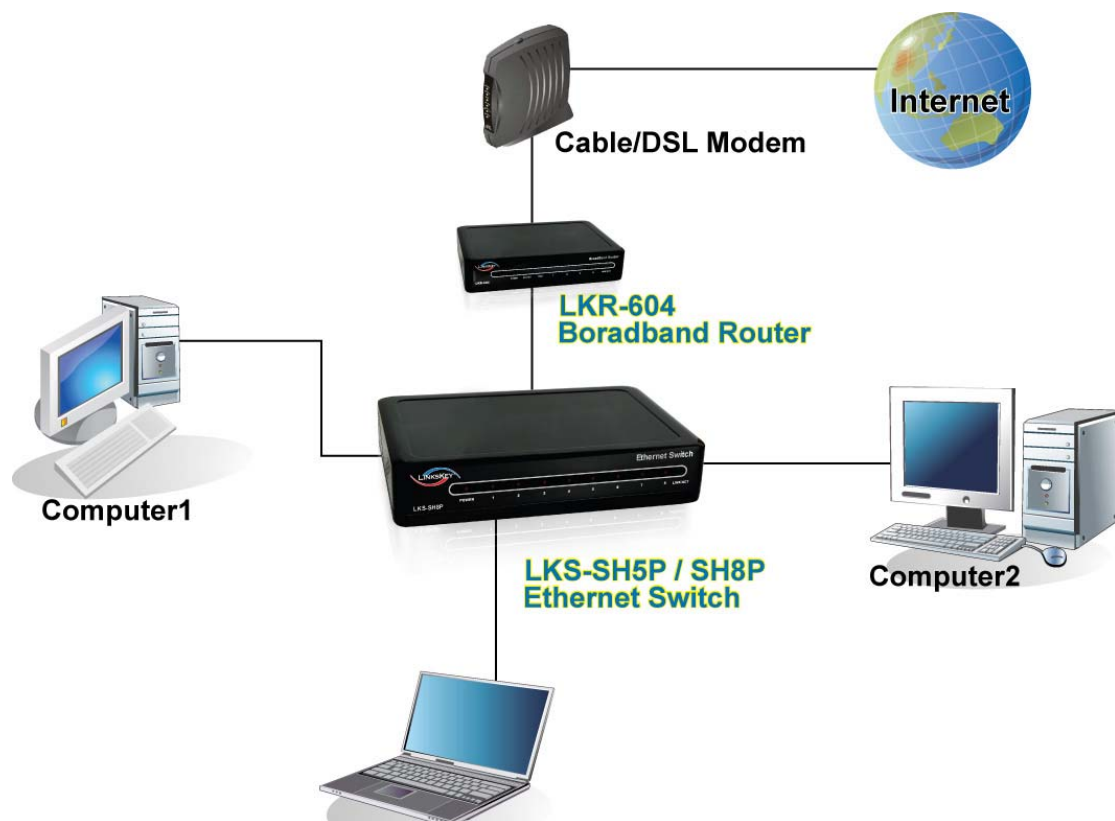
User Manual

LKS-SH5P Rev.C

LKS-SH8P Rev.B

A Introduction

The **LKS-SH5P/LKS-SH8P** 10BASE-T/100BASE-TX Switches which are high-performance Fast Ethernet switches designed for the network core. It provides 5/8 10BASE-T/100BASE-TX ports that can significantly improve the performance of your network's backbone, and deliver the throughput needed to support a broad range of advanced network applications. With **LKS-SH5P/LKS-SH8P** high performance bandwidth, it provides the quickest solution to meeting the growing demands on your network's limited resources.



B Features

- Compact size.
- 5/8-port 10/100 Mbps auto-MDI/MDI-X.
- Secure store and forward switching scheme.
- Auto correction of reverse twisted pair polarity.
- All ports support half/full duplex, Nway auto negotiation.
- All ports support 802.3x flow control for protection against data loss.

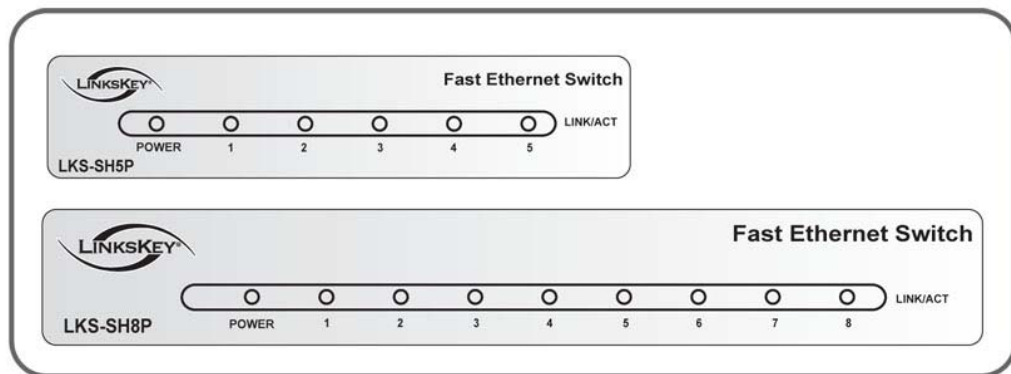
Package Contents

- User guide.
- Power adapter.
- **LKS-SH5P / LKS-SH8P** 10/100Mbps Ethernet Switch.



Hardware Introduction

4.1 Front Panel



POWER LED

This LED light is on when power is present.

5 Port LED (LKS-SH5P)

Indicates the status of each of the 5 ports.

8 Port LED (LKS-SH8P)

Indicates the status of each of the 8 ports.

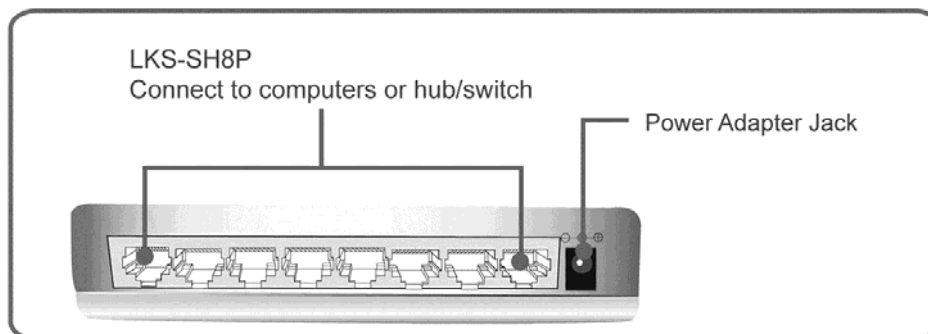
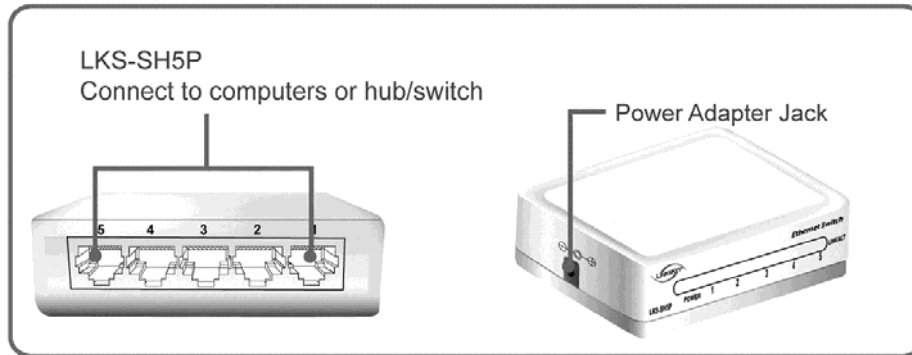
Speed 100 Mbps LED

A green LED indicates the speed is 100 Mbps.

Link/Activity LED

There is a link when the LED light is lit, there is an activity when the LED blinks.

4.2 LED Displays



❁ DC-input

connect power adapter

❁ 5 Port Switch (**LKS-SH5P**)

connect computers, hub's, switches or other devices.

❁ 8 Port Switch (**LKS-SH8P**)

connect computers, hub's, switches or other devices.

Specifications

Standards	IEEE 802.3 10BASE-T Ethernet IEEE 802.3u 100BASE-TX Fast Ethernet IEEE 802.3x Flow Control
Data Transfer Rate	- Ethernet : 10Mbps (half-duplex) 20Mbps (full-duplex) - Fast Ethernet : 100Mbps (half-duplex) 200Mbps (full-duplex)
Interface	10/100Mbps Auto-MDI/MDI-X Ports
Diagnostic LED	Power, Link / ACT, 100Mbps
Power Input	DC 5V / 800mA
Dimension	LKS-SH5P 78 x 98 x 28mm LKS-SH8P 109 x 155 x 33mm
Operating Temperature	0°C ~ 40° C
Operating Humidity	10% ~90% RH,Non-condensing
EMI Certification	FCC Class B / CE Class B



FCC Warning

This equipment has been tested and found to comply with the regulations for a Class B digital device, pursuant to Part 15 of the FCC Rules. These limits are designed to provide reasonable protection against harmful interference when the equipment is operated in a commercial environment. This equipment generates, uses, and can radiate radio frequency energy and, if not installed and used in accordance with this user's guide, may cause harmful interference to radio communications. Operation of this equipment in a residential area is likely to cause harmful interference, in which case the user will be required to correct the interference at his own expense.

- Reorient the receiving antenna.
- Increase the separation between the equipment and receiver.
- Connect the equipment into an outlet on a circuit in a different room that to which the receiver is connected.
- Consult the dealer or an experienced radio/TV technician for help.



CE Mark Warning

This is a Class B product. In a domestic environment, this product may cause radio interference, in which case the user may be required to take adequate measures.



Waste electrical and electronic products must not be disposed of with household waste. Please recycle where facilities exist. Check with you Local Authority or Retailer for recycling advice.





TECHNICAL SUPPORT

E-mail: btitech@linkskey.com

Website: www.linkskey.com